



# SOLVING REEL MOVER



## Operation

The Solving operator-controlled Reel Mover is designed to handle reels that are positioned on the floor. The Mover drives under the reel, lifts it up and transports it to the required destination. Paper or plastic reels, coil and cable drums, can all be handled with the Solving Mover.

Air bearings lift the loaded Mover from the floor and a thin film of air is formed on which the Mover floats, virtually without friction. Utilising the built-in lifting device reels and drums of varying sizes can be handled without any additional assistance.

Solving's air film Mover provides high standards of safety for both personnel and products. The air film Mover requires minimum maintenance and is a cost-effective solution to material handling needs.



Creating Movement

## Construction

The air film-based Mover consists of two steel forks, each equipped with integral pneumatic lifting devices.

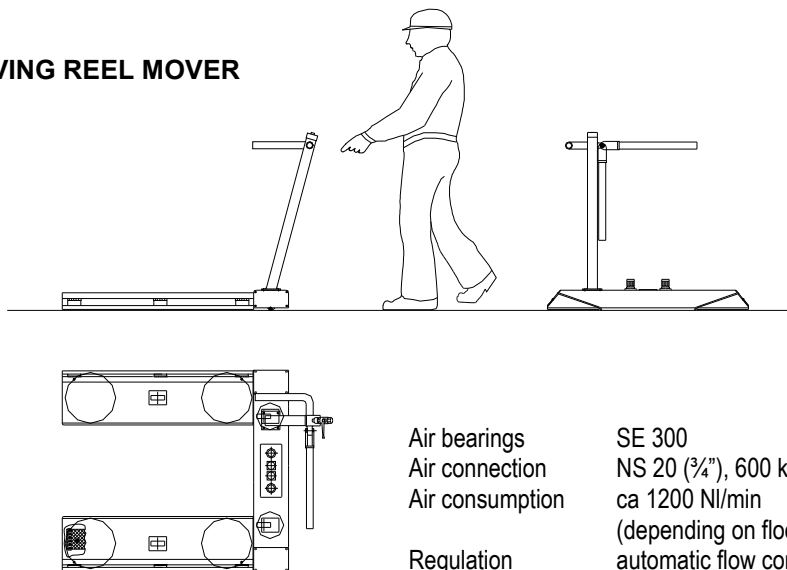
The handlebar can be provided both in left- and right hand versions, and it also folds down to make the roll accessible when loading and unloading.

The air bearings are mounted in the corners of the unit and the Mover can also be moved unloaded without air, by means of the integral no load wheels.

The pneumatic components of the Mover are mounted in the control box at on the handlebar. The air pressure is automatically regulated corresponding to the weight of the load.

## Technical information

### SOLVING REEL MOVER



Air bearings SE 300  
 Air connection NS 20 (3/4"), 600 kPa  
 Air consumption ca 1200 NI/min  
 (depending on floor)  
 Regulation automatic flow control

Type	Load kg	Roll Diameter min mm	Roll Diameter max mm	Fork length max mm	Width mm
SAFT 2 C – 10/9	2000	600	1270	900	1068
SAFT 2 C – 10/11	2000	600	1270	1100	1068
SAFT 2 C – 10/13	2000	600	1270	1300	1068
SAFT 2 C – 10/15	2000	600	1270	1500	1068
SAFT 2 C – 12/9	2000	800	1500	900	1158
SAFT 2 C – 12/11	2000	800	1500	1100	1158
SAFT 2 C – 12/13	2000	800	1500	1300	1158
SAFT 2 C – 12/15	2000	800	1500	1500	1158

Alternative dimensions and configurations are available upon request. Accessories such as motorised reel rotators are available for unwrapping rolls, and adjustable forks can be specified to cater for a variety of diameters.



Ab Solving Oy  
 PO Box 98  
 FI-68601 Jakobstad  
 FINLAND  
 Tel +358 6 781 7500  
 Fax +358 6 781 7510  
 info@solving.fi  
 www.solving.fi

Creating Movement